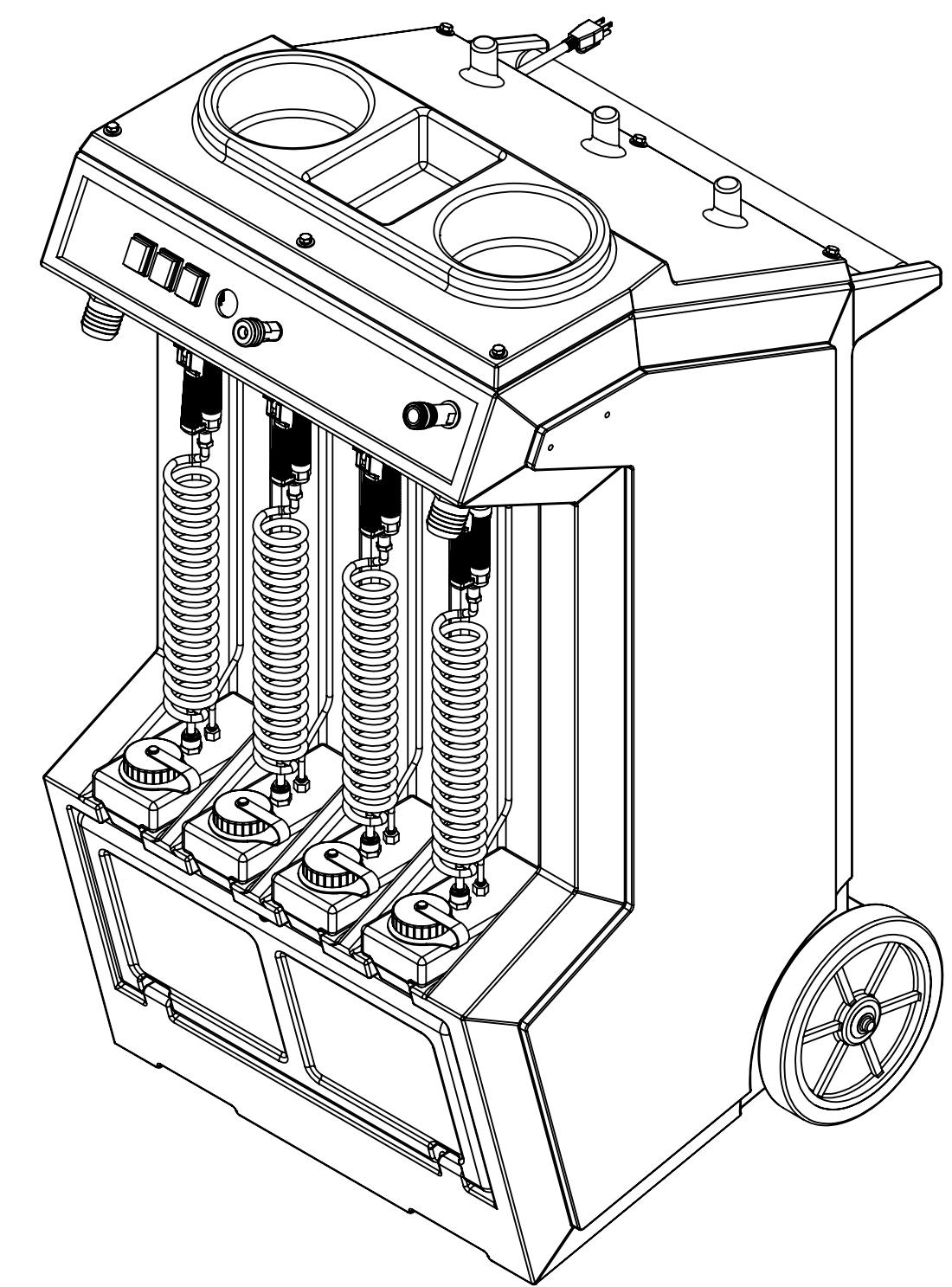


ITEM NO.	PART NO.	DESCRIPTION	QTY.	MSRP
1	PC13	bottle, 3 qt, natural	4	\$34.99 ea
2	G036	cap, 2.5" threaded, tethered	4	\$3.49 ea
3	B166	fitting, brass, 1/4"mpt x 1/4" push-in	9	\$9.99 ea
4	PH657-20.5	tubing, 1/4", nylon, blk	4	\$1.99/ft
5	PH657-9	tubing, 1/4", nylon, blk	4	\$1.99 ft
6	B201	fitting, plastic 3/8" push in	4	\$8.99 ea
7	PC-07	sol hose, black coil	4	\$76.99 ea
8	PC12	tool, fluid dispenser	4	\$36.99 ea
9	PC12A	jet, dispenser tool	4	\$11.99 ea
10	PH657-19	tubing, 1/4", nylon, blk	1	\$1.99 ft
11	H212	flat washer, 9/16"ID x 1 1/16"OD	6	\$0.99 ea
12	PH657-5.5	tubing, 1/4", nylon, blk	1	\$1.99 ft
13	B178	tee, brass, 1/4", push-in	5	\$12.99 ea
14	PH657-4	tubing, 1/4", nylon, blk	3	\$1.99 ft
15	PH657-7	tubing, 1/4", nylon, blk	1	\$1.99 ea
16	H968	regulator, 0-60 psi, detail machine	1	\$63.99 ea
17	PH657-32.5	tubing, 1/4", nylon, blk	1	\$1.99 ft
18	PH657-24.5	tubing, 1/4", nylon, blk	1	\$1.99 ft
19	B119A	filter, strainer, 1/2"	1	\$6.49 ea
20	B132	adapter, brass, 1/2" barb x 1/2" mpt	1	\$9.49 ea
21	PH615-45	sol hose, 1/2" kuri 100psi	1	\$8.99/ft
22	B173	ferrule, 1/2", brass	1	\$0.99 ea
23	B103	elbow, brass, 90 deg, 1/4"mpt x 1/4" fpt	4	\$4.49 ea
24	B172	elbow, brass, 90 deg, 1/2" barb x 3/8"mpt	1	\$9.49 ea
25	B106	nipple, brass, 1/4" x close	1	\$3.49 ea
26	AH120	sol hose, 28" x 1/4", 1/4 fpt	1	\$26.49 ea
27	E573	Thermostat, 200°, Auto, 1/4"	2	\$16.49 ea
28	H274	screw, 6 x 3/16, phil pan head, self-tapping	10	\$0.99 ea
29	H275	6-32 3/16" p-pan internal sem zinc	8	\$0.99 ea
30	E574	Thermostat, 310°F ± 10°F, Manual, 1/4"	2	\$17.99 ea
31	E571	heating rod, 600W, 115V	2	\$49.99 ea
32	H903A	heater, aluminum cast, single	2	\$78.99 ea
33	AH156	hose, 3/8" x 6.5", (OAL), f x fsw, 5400 Gray	1	\$23.99 ea
34	B142	coupling, brass, 1/4" fpt x 1/4" fpt	1	\$4.49 ea
35	B108	valve, brass, 1/4" check	1	\$13.99 ea
36	AH105	hose, 3/8" x 17-1/2", (OAL), f x fsw, surge, 1600psi	1	\$31.99 ea
37	B136	elbow, brass, 90 deg, 1/4" mpt x 1/4" mpt	1	\$4.99 ea
38	B105	bushing, brass, 3/8"mpt x 1/4"	1	\$3.19 ea
39	H770	bolt, 1/4-20 x 1/2" serrated hex flange, zinc	7	\$0.99 ea
40	H210	washer, 1/4" flat, s/s	10	\$0.99 ea
41	C305	pump, 120 psi, 115V	1	\$151.99 ea
42	H213	washer, 1/4" lock, s/s	6	\$0.99 ea
43	H203	bolt, 1/4-20 x 1-1/4"	3	\$0.99 ea
44	H204	bolt, 1/4-20 x 1 3/4" hex head, s/s	3	\$0.99 ea
45	PC91	lid, detail machine	1	\$92.99 ea
46	PC92	door, small, detail machine	1	\$30.99 ea
47	PH695-24	axle, material, crs, 1/4" x 20	1	\$11.99/ft
48	H229	inlet, pvc, 1-1/2", gray	2	\$5.99 ea
49	G001	gasket, inlet, 1.80" i.d.	2	\$2.99 ea
50	B102	qd, brass, 1/4" f	1	\$17.99 ea
51	H426	washer, nylon, 5610-169-93	1	\$1.99 ea
52	B190	qd, brass, 1/4" female, pneumatic	1	\$27.99 ea
53	E515	switch, rocker, 2 position	3	\$13.99 ea
54	PC90	cabinet, detail machine	1	\$553.99 ea
55	PH695-35.5	axle, material, crs, 1/4" x 20	1	\$11.99/ft
56	PC95	handle, bar, for DM	1	\$19.99 ea
57	PC101A	sleeve for handle, BLK 1"ID x 2	1	\$16.99 ea
58	H221	nut, lock, 1/2" steel	1	\$1.99 ea
59	H220	fitting, strain relief, cord	1	\$3.19 ea
60	E531	power cord, end, 25', 12/3 black	1	\$52.99 ea
61	B191	qd, brass, 1/4" male, pneumatic	1	\$11.99 ea

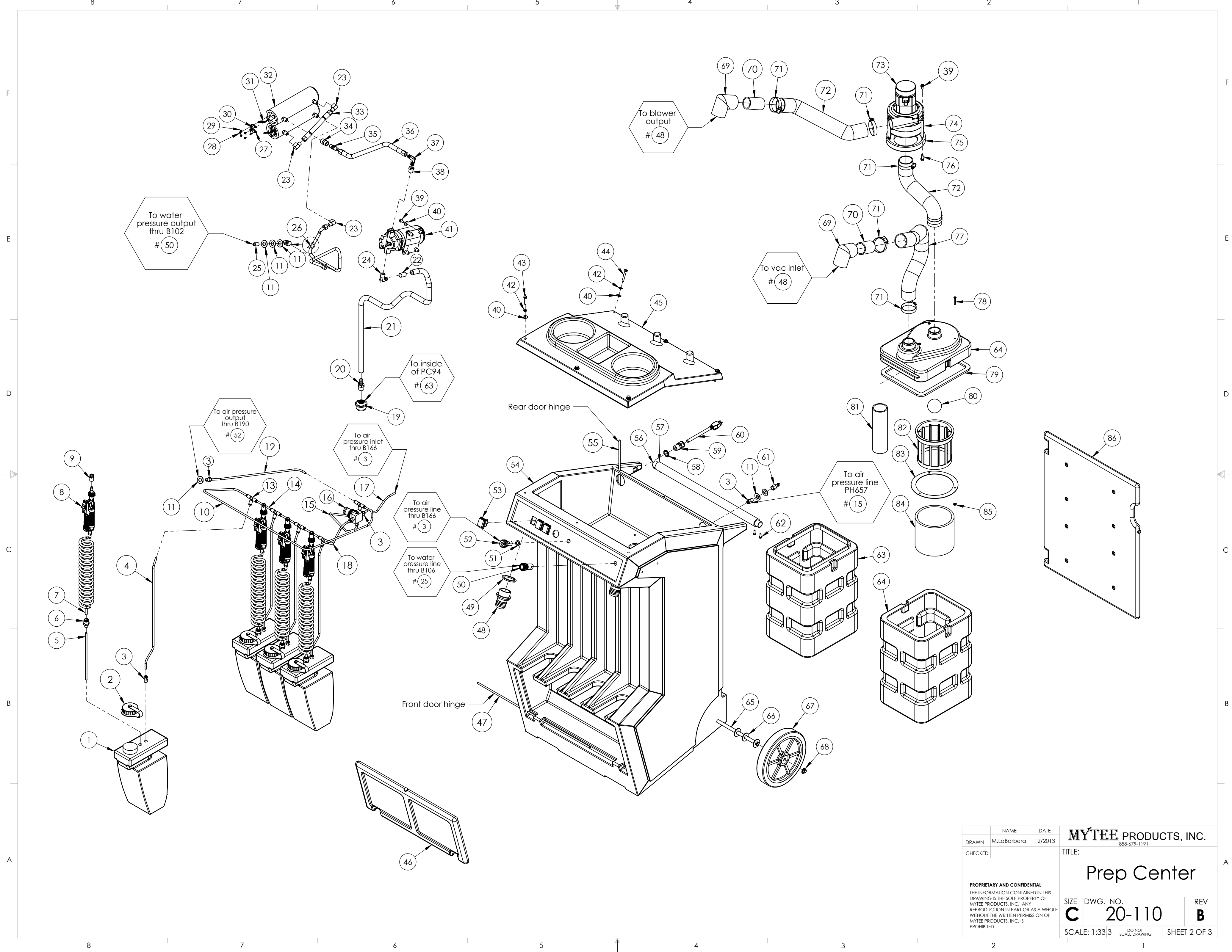
ITEM NO.	PART NO.	DESCRIPTION	QTY.	MSRP
62	H343	screw, #10 x 5/8" hex head, zinc	4	\$0.99 ea
63	PC94	sol tank, red, no lid	1	\$95.99 ea
64	PC56	vac tank, w/ lid, DM, blue	1	\$148.99 ea
65	H617	axle, 29" x .50" dia	1	\$14.99 ea
66	H254	washer, axle, cut 1/2" id	6	\$0.99 ea
67	H392	wheel, 10"	2	\$35.49 ea
68	H219	cap, axle, 1/2"	2	\$0.99 ea
69	H243	elbow, 90, pvc, 1.5" fnt x fms	2	\$4.99 ea
70	PH633-03	pipe, pvc, 1-1/2"	2	\$4.99/ft
71	H217	clamp, hose, 2-1/4 dia	6	\$1.49 ea
72	PH628-15	vac hose, 2', wire reinforced, gray	2	\$8.99/ft
73	C302LA	vac motor, 3 stage, low amp	1	\$139.99 ea
74	H503	vac support, 3 stage, 3.25", no thrds	3	\$3.99 ea
75	G004	gasket, vac motor - Speedster	1	\$8.99 ea
76	H768	bolt, 1/4-20 x 3/4" serrated hex flange, zinc	3	\$0.99 ea
77	PH628-17	vac hose, 2', wire reinforced, gray	1	\$8.99 ft
78	H222	screw, 10-32 x 1-1/4" phil pan head, s/s	3	\$0.99 ea
79	PC57	gasket, vac tank, D.M.	1	\$14.99 ea
80	PC59	ball, for detail machine float	1	\$2.99 ea
81	P682-8	pipe, pvc, 2"	1	\$7.99/ft
82	PC58	cage, float, for D.M.	1	\$7.99 ea
83	PC61	ring, mounting	1	\$4.99 ea
84	PC60	(acc) vacuum filter, foam	1	\$6.49 ea
85	H273	nut, kep, #10-32 zinc	3	\$0.99 ea
86	PC93	door, large, detail machine	1	\$52.99 ea

ACCESSORIES

PART NO	DESCRIPTION	QTY	MSRP
ADM-20-110	manual, prep center	1	
AD127	stop sign, register your product	1	
A919	(acc) tool, blower, exterior	1	\$7.99 ea
PC88	(acc) tool, window attachment	1	\$17.49 ea
PC87	(acc) tool, claw, plastic	1	\$6.99 ea
PC86	(acc) tool, crevice, plastic	1	\$6.49 ea
A935	sol hose, pigtail, 1/8 x 7 1/2	1	\$14.99 ea
H282	tool, uph, S/S w/valve	1	\$98.99 ea
A943	sol hose, 1/4" x 25' 7", 3000psi	1	\$94.99 ea
B101	quick disconnect, male 1/4" male x 1/7" fpt	2	\$8.49 ea
B102	quick disconnect, 1/4" female x 1/4" fpt	1	\$17.99 ea
PC-60D	(acc) filter 'paper', DM	1	\$5.99 ea
G147	strap, velcro, w/buckle	8	\$3.49 ea
H375	hanger, wire formed, hose	2	\$10.99 ea
H294	vac hose, 1-1/2" x 25' SW	2	\$74.99 ea
H230	screw 10-32 x 1/2" phil pan head, s/s	4	\$0.99 ea



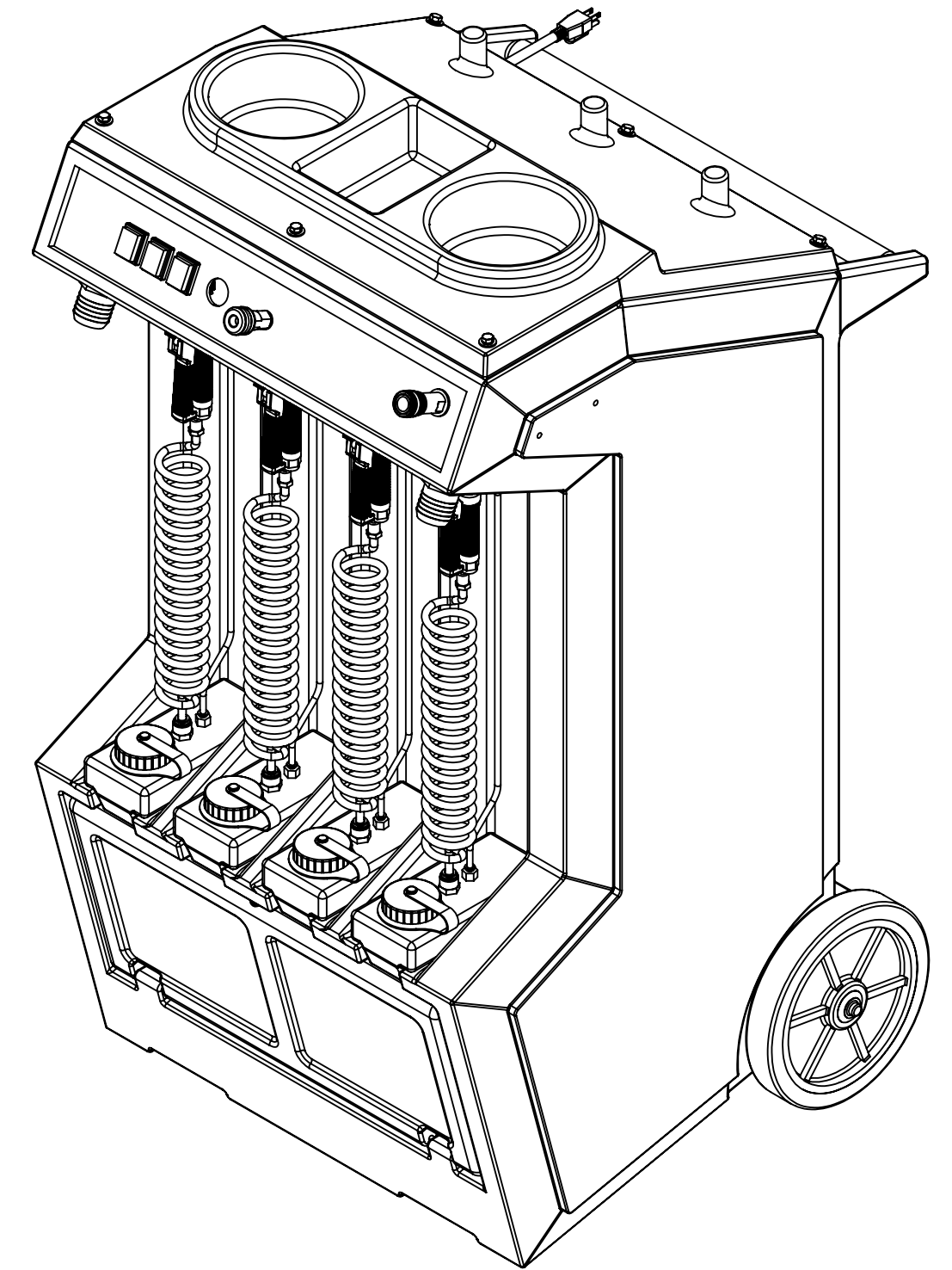
	NAME	DATE	MYTEE PRODUCTS, INC. <small>858-679-1191</small>
DRAWN	M.LaBarbera	12/2013	
CHECKED			
<small>PROPRIETARY AND CONFIDENTIAL THE INFORMATION CONTAINED IN THIS DRAWING IS THE SOLE PROPERTY OF MYTEE PRODUCTS, INC. ANY REPRODUCTION IN PART OR AS A WHOLE WITHOUT THE WRITTEN PERMISSION OF MYTEE PRODUCTS, INC. IS PROHIBITED.</small>			TITLE: <h2>Prep Center</h2>
SIZE	DWG. NO.	REV	
C	20-110	B	
SCALE: 1:10	DO NOT SCALE DRAWING	SHEET 1 OF 3	



NAME	DATE	MYTEE PRODUCTS, INC.	
DRAWN M.LaBarbera	12/2013	858-679-1191	
CHECKED		TITLE:	
		Prep Center	
PROPRIETARY AND CONFIDENTIAL		SIZE DWG. NO.	REV
THE INFORMATION CONTAINED IN THIS DRAWING IS THE SOLE PROPERTY OF MYTEE PRODUCTS, INC. ANY REPRODUCTION IN PART OR AS A WHOLE WITHOUT THE WRITTEN PERMISSION OF MYTEE PRODUCTS, INC. IS PROHIBITED.		C 20-110	B
SCALE: 1:33.3		DO NOT SCALE DRAWING	SHEET 2 OF 3

REVISIONS

REV.	DESCRIPTION	DATE	APPROVED
OD	ORIGINAL DRAFT	2009	JFL
A	UPDATED HARDWARE; REMOVED G029	12/23/2013	JFL
B	MOVED REGULATOR	3/4/2014	ML



	NAME	DATE	MYTEE PRODUCTS, INC.	
DRAWN	M.LaBarbera	12/2013	858-679-1191	
CHECKED			TITLE:	
<p>PROPRIETARY AND CONFIDENTIAL THE INFORMATION CONTAINED IN THIS DRAWING IS THE SOLE PROPERTY OF MYTEE PRODUCTS, INC. ANY REPRODUCTION IN PART OR AS A WHOLE WITHOUT THE WRITTEN PERMISSION OF MYTEE PRODUCTS, INC. IS PROHIBITED.</p>			<p>Prep Center</p>	
			<p>SIZE DWG. NO. REV</p> <p>C 20-110 B</p>	<p>SCALE: 1:10 DO NOT SCALE DRAWING SHEET 3 OF 3</p>